

CCMR LAB SAFETY ROOM ORIENTATION F-3 Clark Hall Keck SEM, B-Nano Air-SEM

Mick Thomas
F-3 Clark Hall
607-592-5217
mt57@cornell.edu



Dr. Mariena Silvestry
Ramos
D21-F Clark Hall
607-255-6272
Cell 646-320-6130
ms3289@cornell.edu



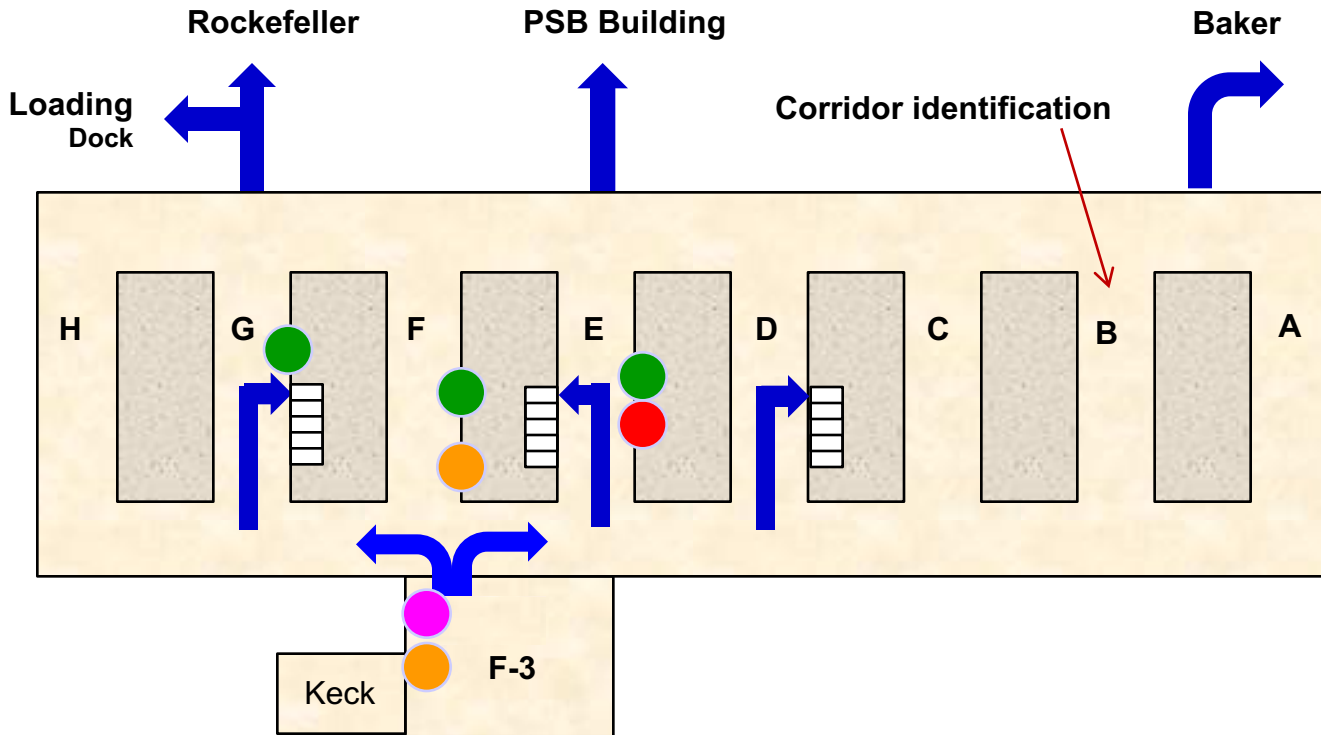
ccmr

Cornell Center for Materials Research

Cornell University, Ithaca, NY

<http://www.ccmr.cornell.edu>

Emergency Exits and Evacuation



IF THERE IS A FIRE ALARM
– *EVACUATE THE BUILDING.*

		First Aid Kit			Fire Pull Station
		Fire Extinguisher			Emergency Shower and Eyewash



Working in the CCMR Keck Lab – Safety Training

The following laboratory safety courses, offered on-line or in the classroom by Cornell University EH&S, are **required** to access the CCMR Keck Lab. EH&S course numbers follow in parentheses for your reference

See <http://www.ccmr.cornell.edu/facilities/safetyinfo/> for information on how to obtain training or verify your CULearn information

Required for access to Clark F-3 (Keck Lab):

- EH&S training Laboratory Safety: # 2555- Laboratory
- EH&S training in Chemical Waste Disposal: # 2716- ChemWaste



Working in the CCMR Keck Lab – Safety Rules

- No wet chemistry is allowed in the lab, so do not bring any chemicals into the lab. All samples must be prepared in your own lab.
- Do not bring hazardous samples or materials into the lab. Contact Mick Thomas with any questions.
- This is not a storage facility - you must take specimens, stubs, and raw material with you when you leave.
- Do not bring any food or drink into F-3 or the SEM room.
- Users failing to follow safety rules will be denied access to the lab.



Acknowledging the Facility

Please remember to properly acknowledge use of the CCMR Facilities in your presentations, publications, and conference proceedings



Researchers who make use of these facilities must acknowledge the award number

NSF DMR-1120296

www.ccmr.cornell.edu/about/acknowledge.html

For more information, visit:
www.ccmr.cornell.edu/facilities



CCMR Shared Facility Access Form (more information at <http://www.ccmr.cornell.edu/facilities/becoming-a-ccmr-facility-user/>)

Submit one form to *each* facility that you are requesting access to.

- 1) Print out this page. Illegible or incomplete forms may not be accepted.
- 2) Read the facility orientation completely. Required EH&S safety trainings for individual areas are listed below.

Trainings A,F, and W required for access to all facilities					
Facility	Room	Additional Trainings	Facility	Room	Additional Trainings
Duffield Hall	150	CR	Clark Hall	F03 (Keck)	-
	231 (Prep)	C		All D21, D22	C*G*M*U*
Bard Hall	B47/A/B	C*L*U*		D15 (AFM)	-
	B55	G	ST Olin	B78	C
	B56	C	Snee Hall	1158	CR
	SB30	L		1102	R
	SB56 & 58	R*		1149 (μ probe)	R*

*Required for specific activities, see facility orientation

Safety trainings key	
A	Laboratory safety (#2555-laboratory)
C	Cryogen handling (#3055-cryogensfty)
F	Fire safety (#5330-firesafety)
G	Compressed gas (#2335-compressed)
H	Hazard communication (#2343-hazardcomm)
L	Laser safety (#2397-lasersafety)
M	Magnetic fields (#5035-magnetic)
R	Radiation producing equipment (#5033 EHS-RPE)
U	Fume hood (#3355-FumeHood)
W	Chemical waste disposal (#2716-chemwaste)

3) Fill in user information below, sign and bring completed forms to the appropriate facility manager.

User Name _____ Cornell University ID card # _____

NetID/E-mail _____ Status _____ Department _____ Advisor _____

By signing below, I am attesting that I have read the facility orientation form and completed the necessary EH&S safety trainings.

User Signature _____ Date ____/____/____

Office use:

Door _____ e-mail list _____ entered by _____